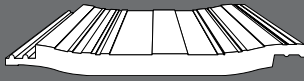


» DATA SHEET YEOMAN PROFILE

SPECIFICATIONS & APPLICATIONS



MANUFACTURE:

Extruded concrete interlocking roofing tile with fused or integral colour and sealer coat. Manufactured to exceed the minimum requirements of AS2049-2002.

APPLICATION:

Roof and wall covering in pitch range:
 25° - <35° (sarking optional)
 15° - <25° (sarking mandatory)

WEIGHT:

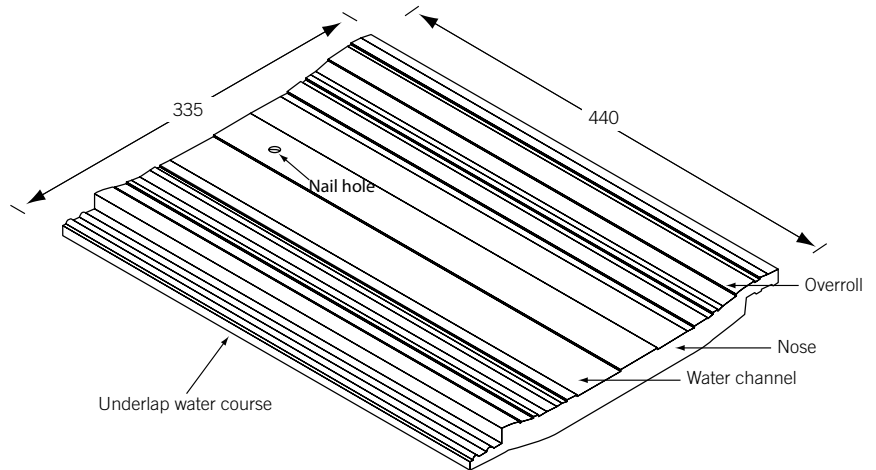
5.0kg (average)

TILES PER M²:

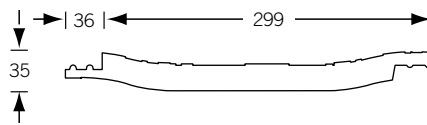
See Illustration Specification
 (All dimensions in mm)

Note: Yeoman available in Shake (Pictured) and Shingle profile

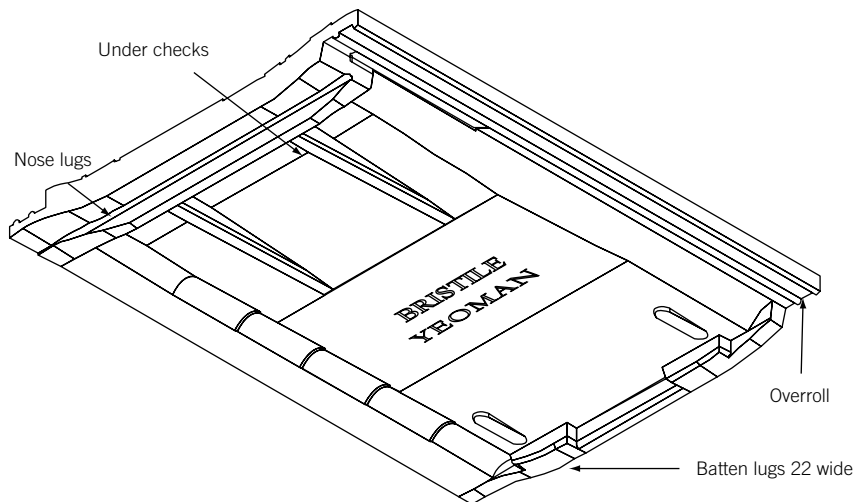
TOP ISOMETRIC VIEW



END ELEVATION VIEW



BOTTOM ISOMETRIC VIEW



Phone 1300 274 784

www.bristileroofting.com.au